

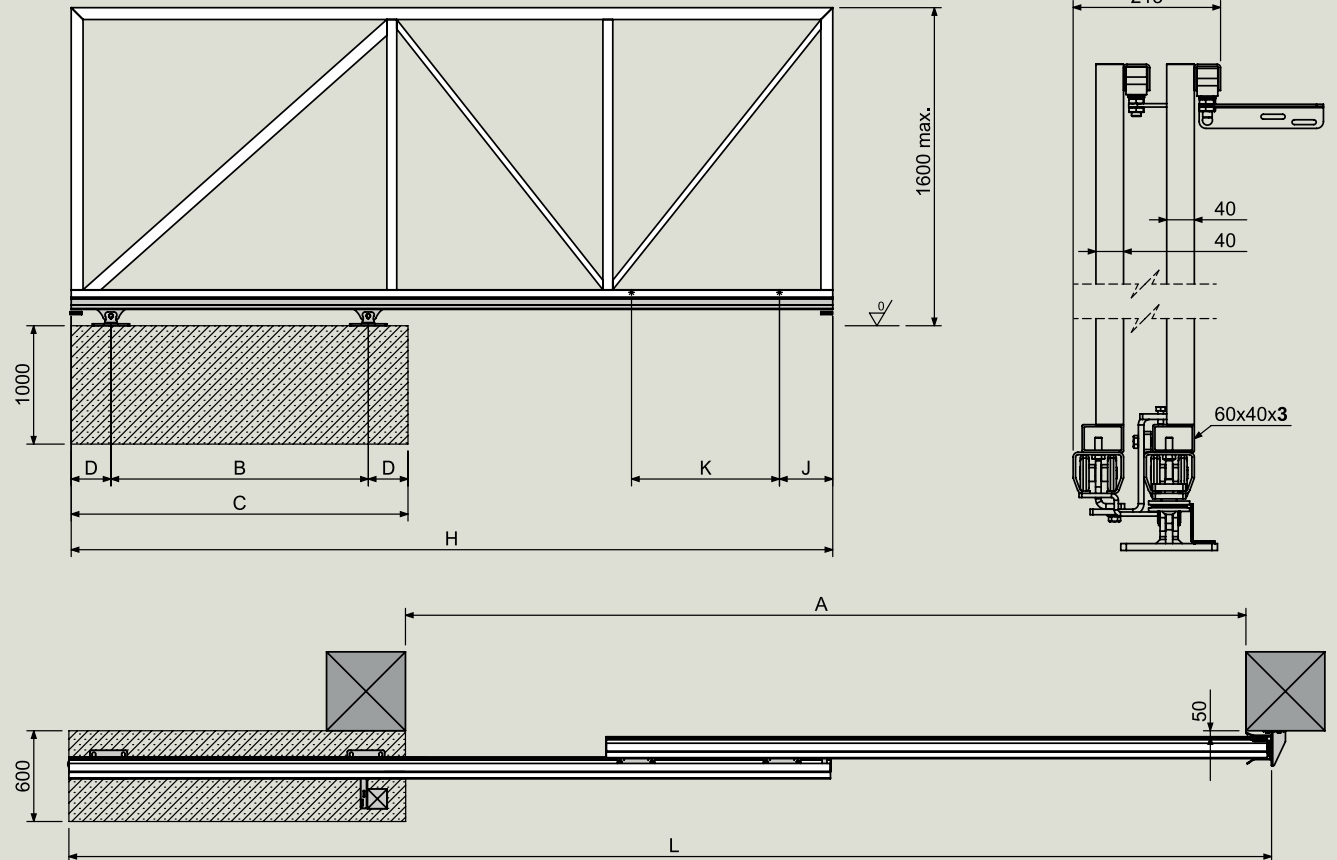
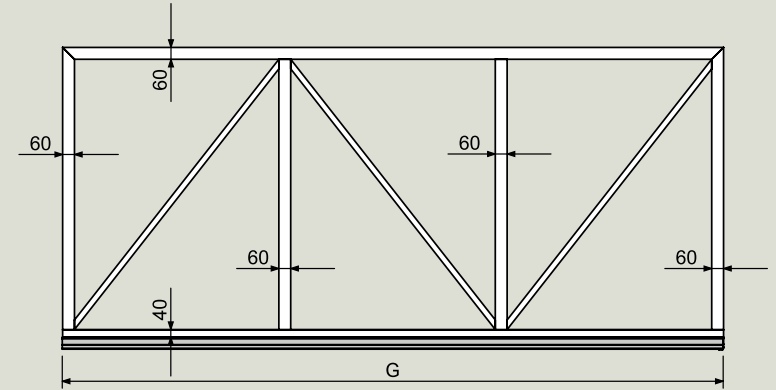
FOLLOW ME - MANUAL


FOLLOW ME 4.25


CODE: 1710900


	mm; kg	mm; kg	mm; kg	mm; kg	mm; kg	mm; kg	mm; kg
A	2750	3000	3250	3500	3750	4000	4250
backspace	2722	2930	3138	3347	3555	3763	3972
max. weight gate	325 kg	325 kg	325 kg	325 kg	325 kg	325 kg	325 kg
B	817	900	983	1067	1150	1233	1317
C	1217	1300	1383	1467	1550	1633	1717
D	200	200	200	200	200	200	200
G	2228	2415	2603	2790	2978	3165	3353
H	2622	2830	3038	3247	3455	3663	3872
J	270	270	270	270	270	270	270
K	353	415	478	540	603	665	728
L	4067	4400	4733	5067	5400	5733	6067


Valid for gate frame 60x40




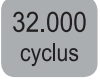
- 


DOUBLE-QUICK TIME GATE OPERATOR CLOSING & OPENING
- 


SPACE SAVING FEATURE - 36% TAILGATE SPACE
- 


EASY ASSEMBLING
- 


TWIN «C» TRACK CANTILEVER SYSTEM
- 


3 AXIS
- 


32.000 CYCLUS TESTED & PROVEN
- 


270 g/m² HOT DIPPED GALVANIZED
- 


+ 50°C TESTED & PROVEN
- 


- 37°C TESTED AND PROVEN
- 


BUILD IN FLYING HOLE PUNCH EVERY 400 mm
- 


GALVANIZED INTERNAL EDGES
- 


«C» TRACK SERIAL NO. 100% COMPATIBILITY CARRIAGE TESTED
N°239892
- 


GERMAN STEEL WUPPERMANN
- 


15 + 15 BOLTS
15 + 15 RIVET NUTS INCLUDED
- 

C 2 HIGH QUALITY BEARINGS
- 

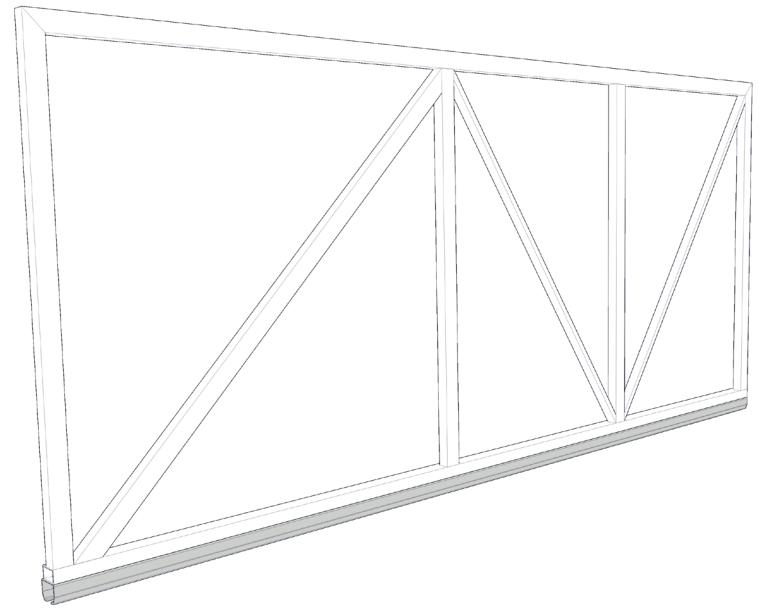
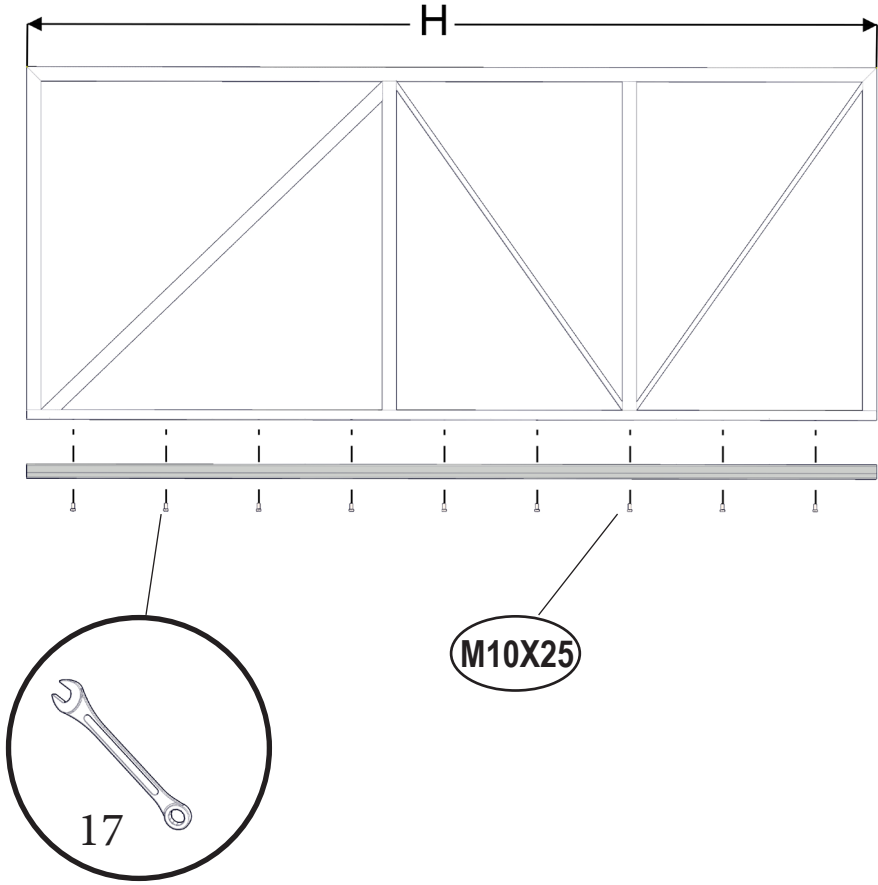
CARRIAGES CENTER HOLES MILLED NOT LASERED
- 

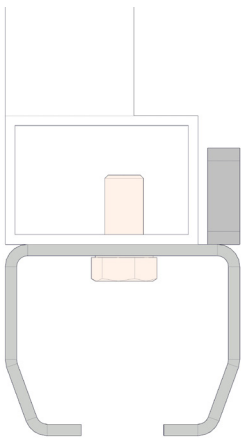
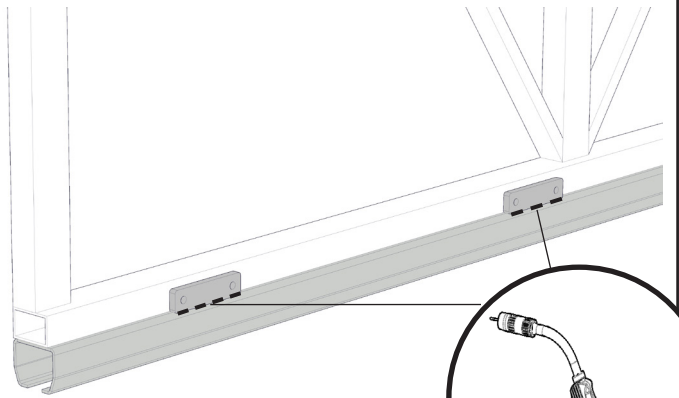
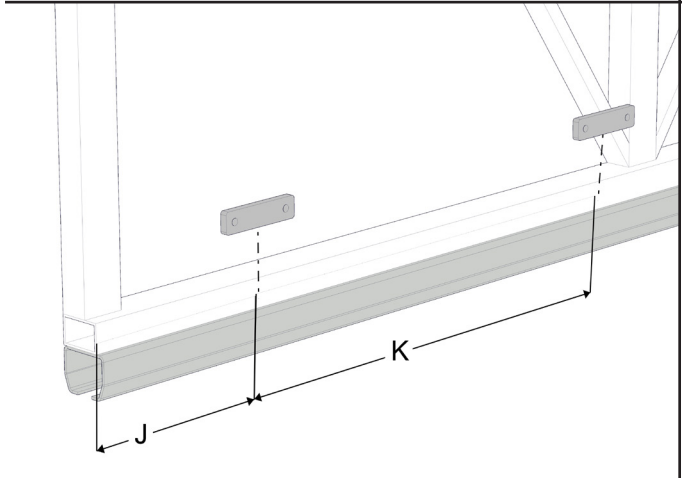
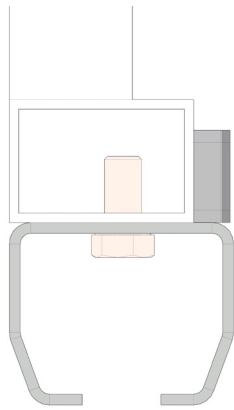
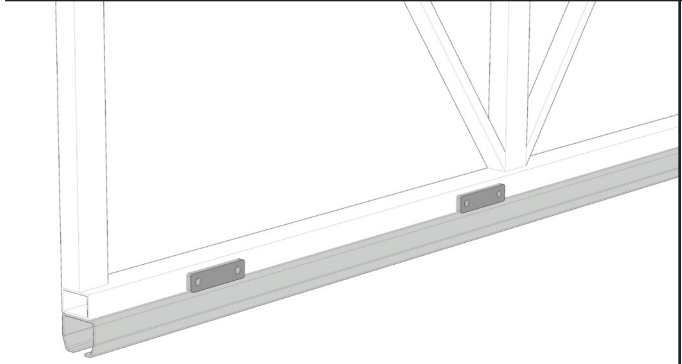
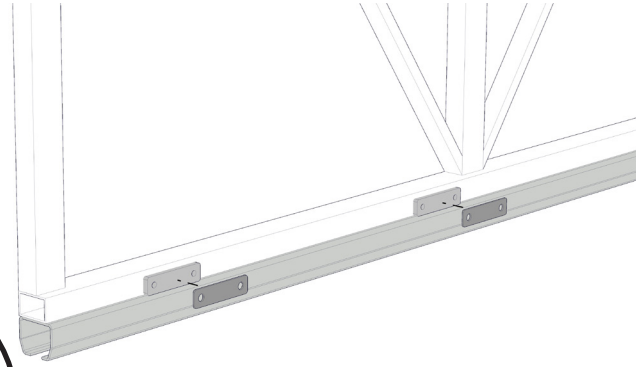
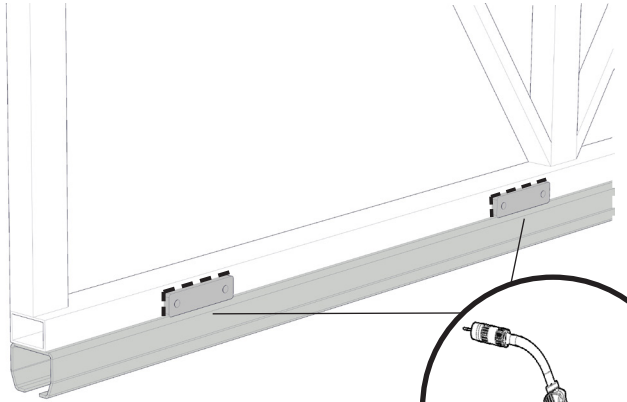
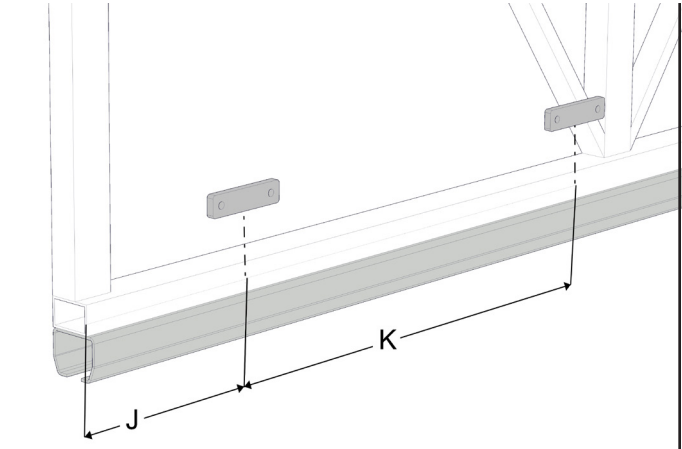
MULTI RIVITED SECTIONS
- 

JPN JAPANESE ROBOTICS FANUC
- 

R&D UNIVERSITY OF TECHNOLOGY – BRNO
- 

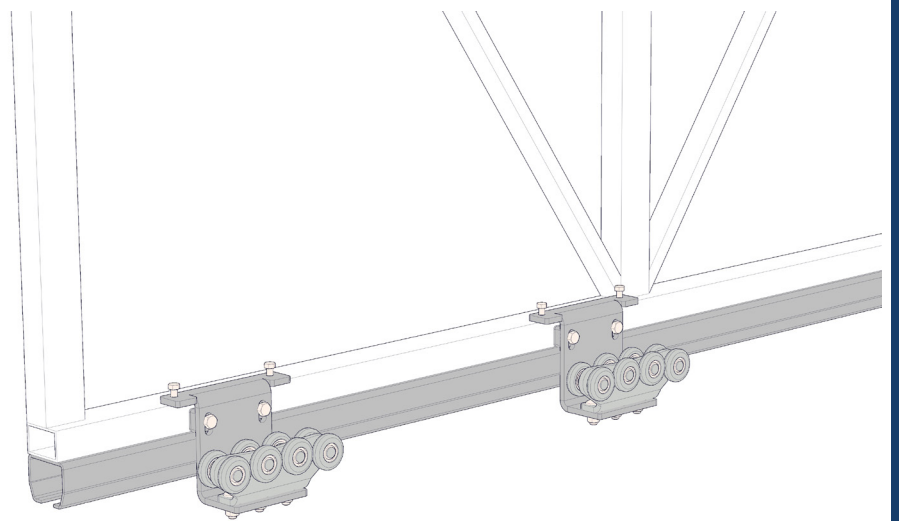
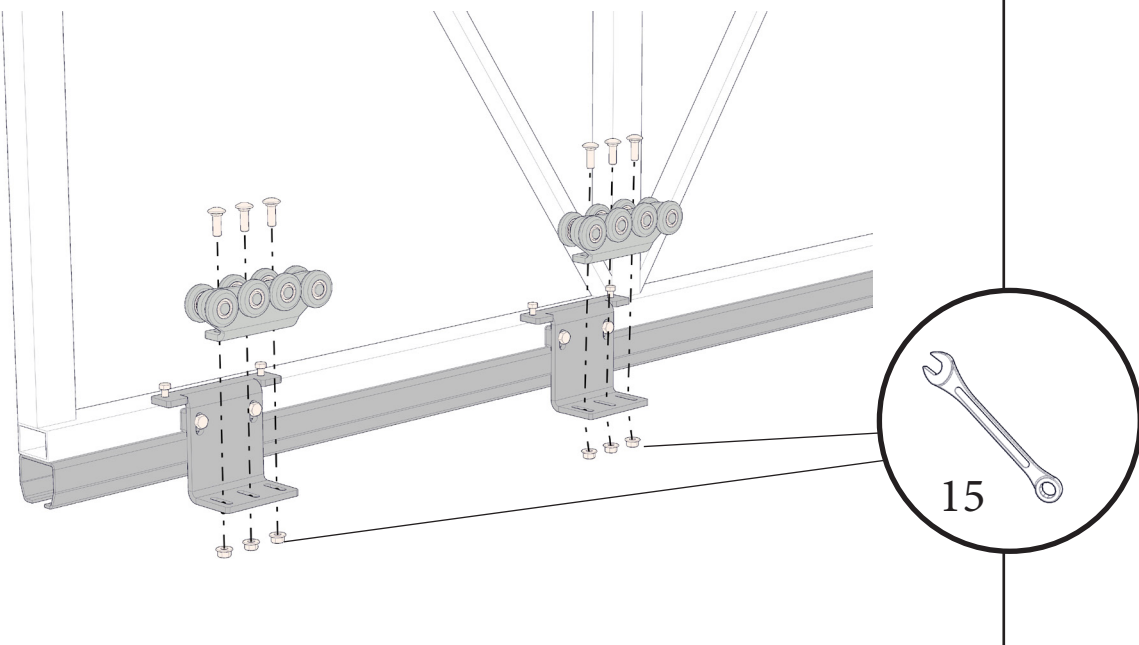
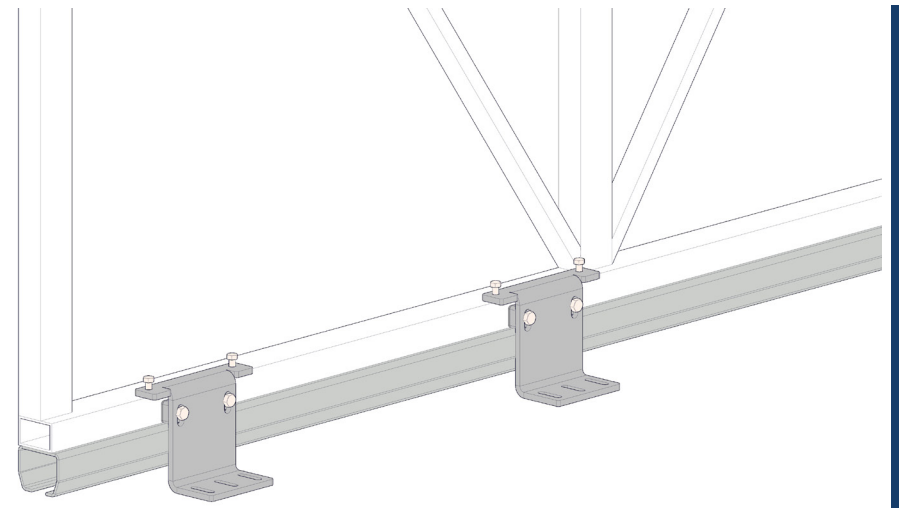
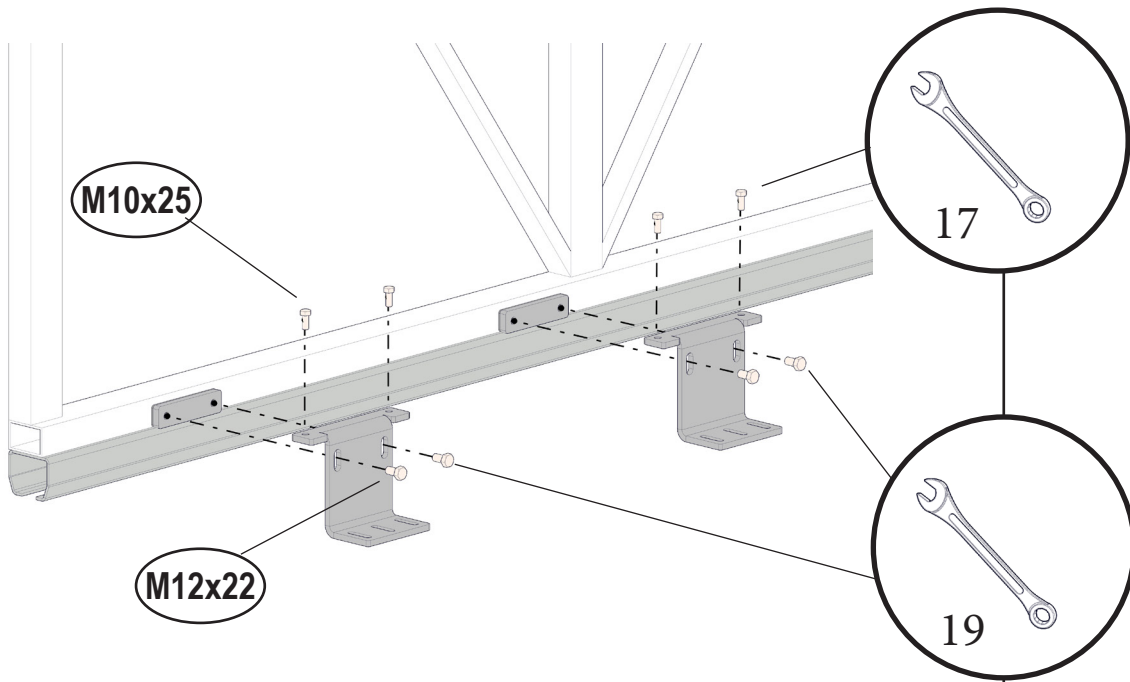
CZ MADE IN CZECH REPUBLIC





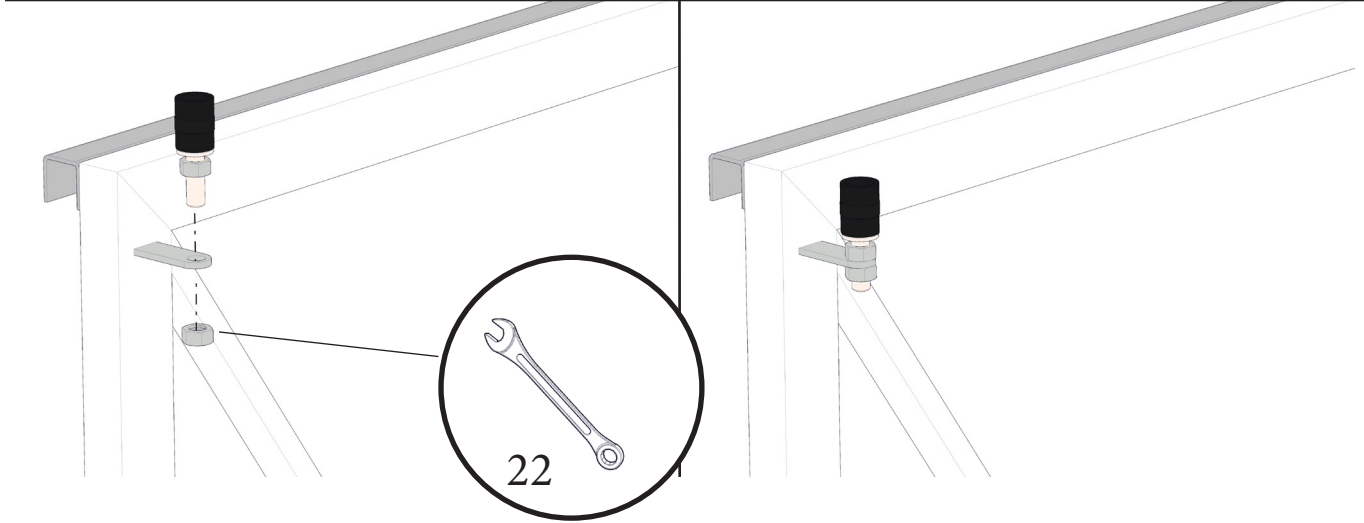
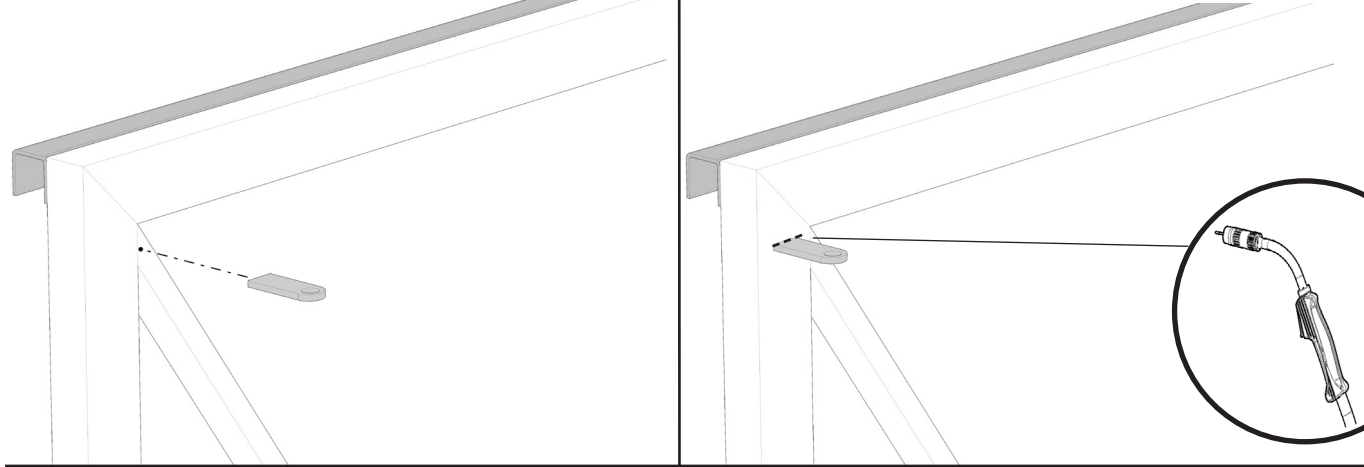
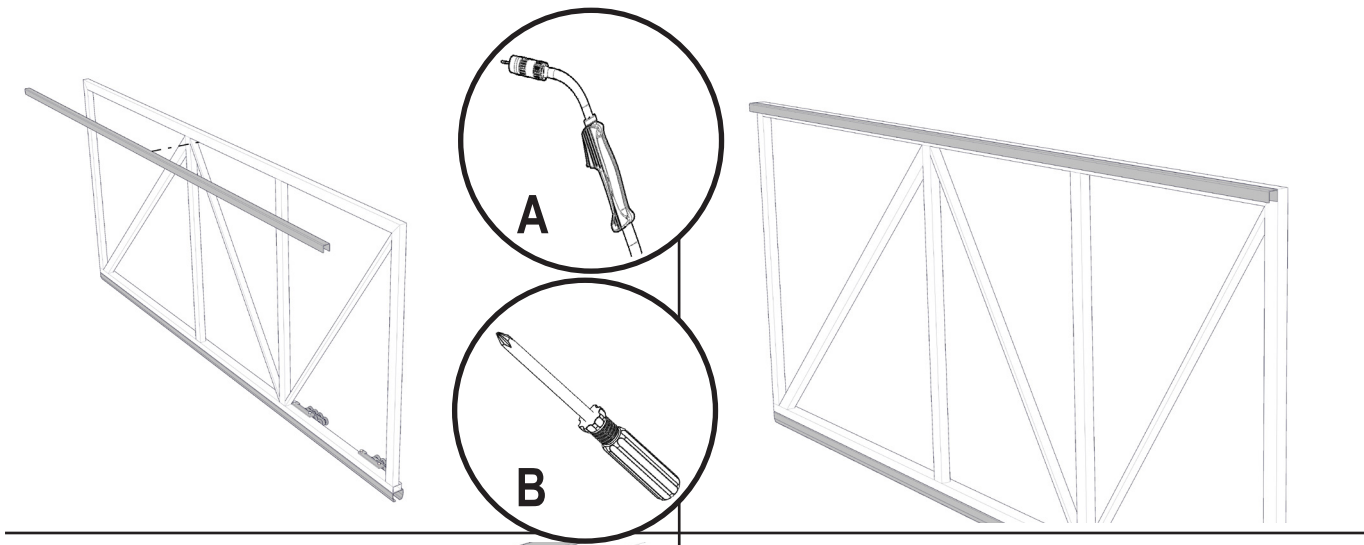
STEP 2: A

STEP 2: B



STEP 3

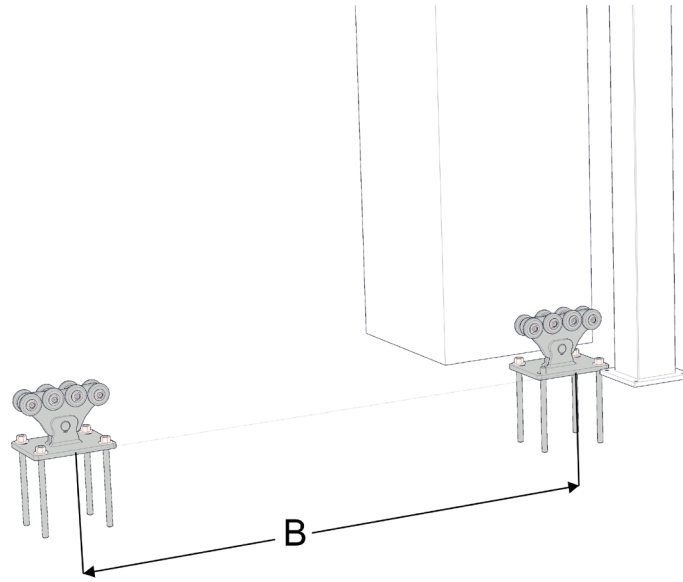
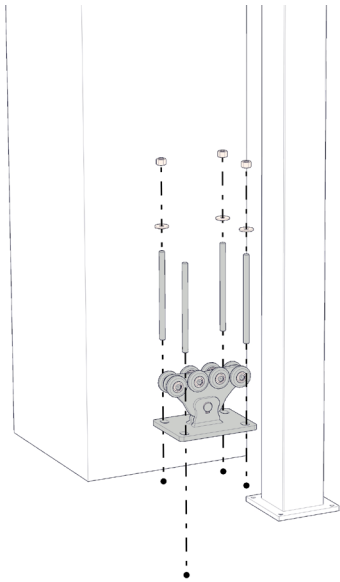
STEP 4



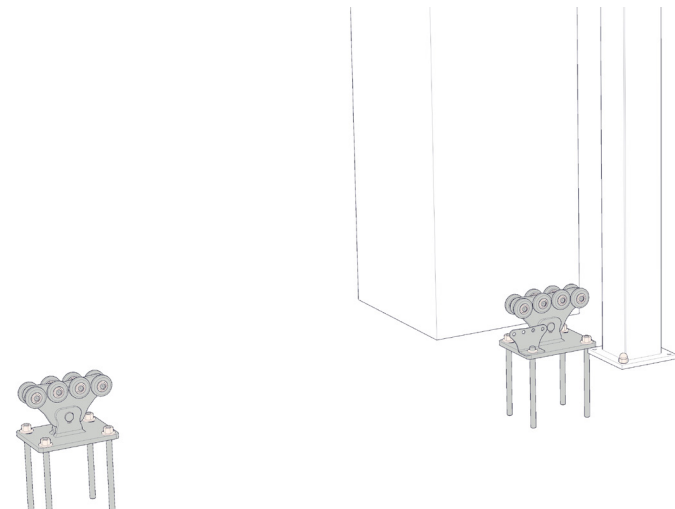
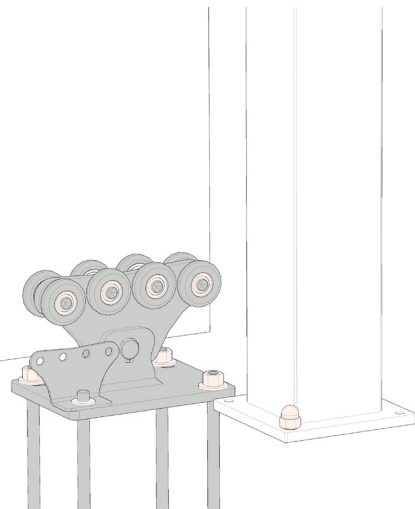
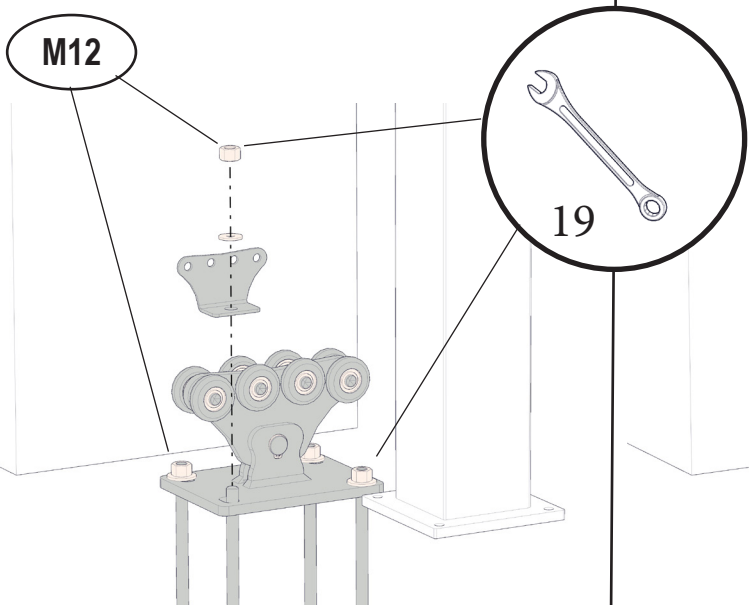
STEP 5

STEP 6

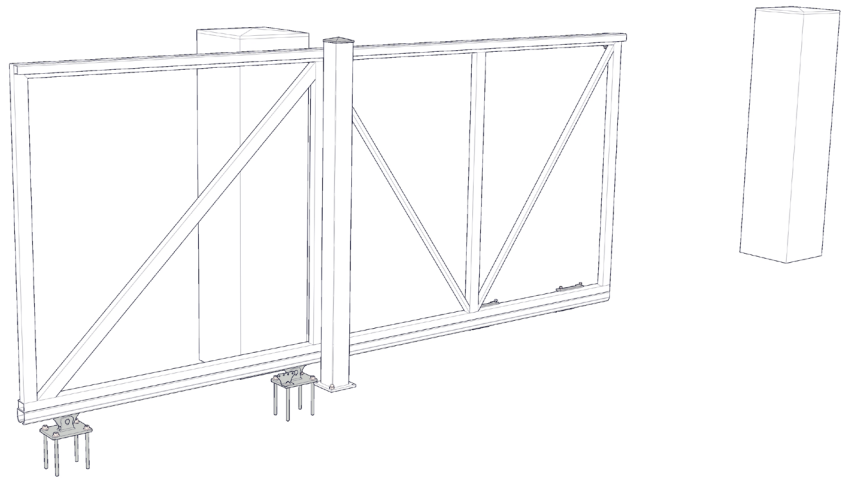
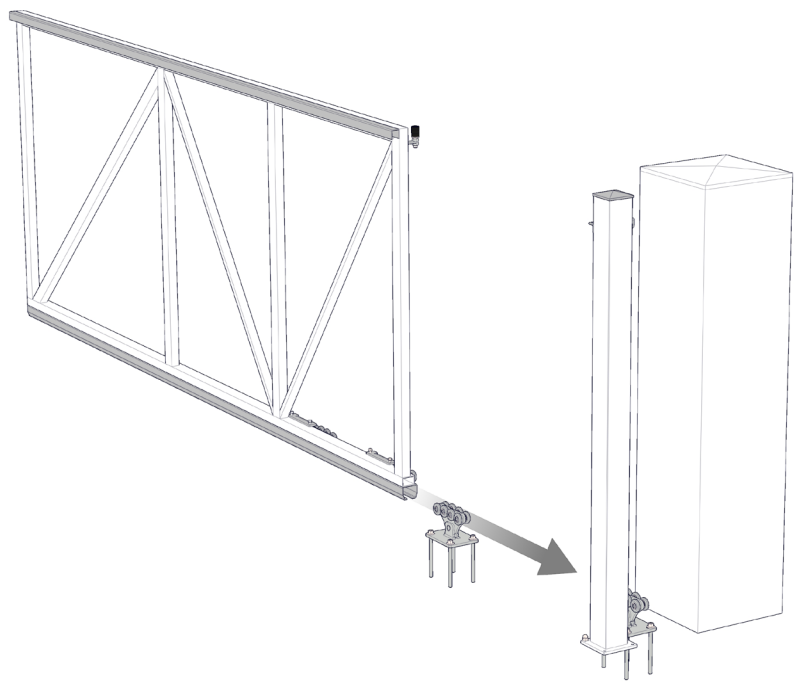
STEP 7



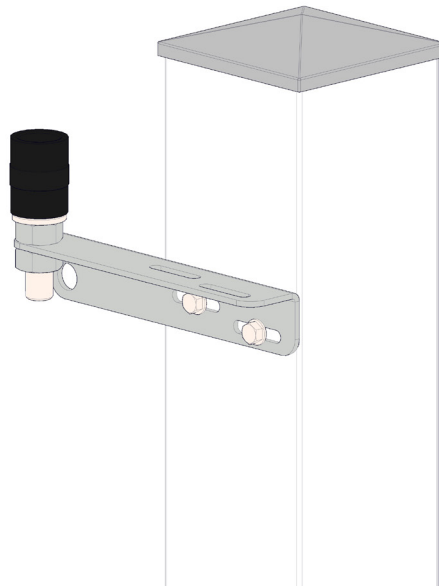
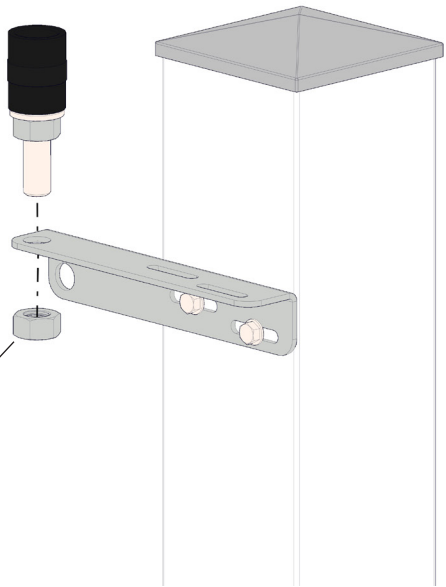
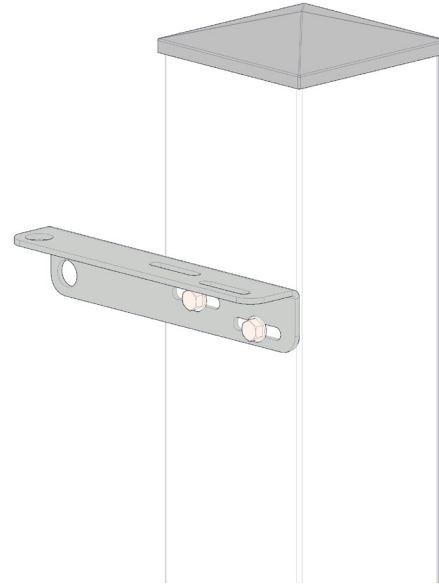
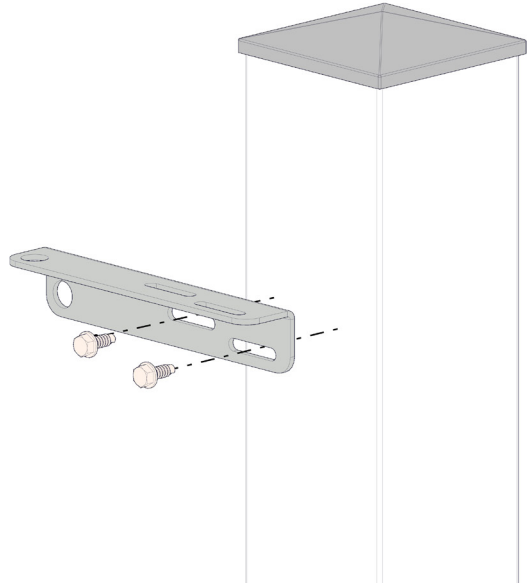
STEP 8



STEP 9

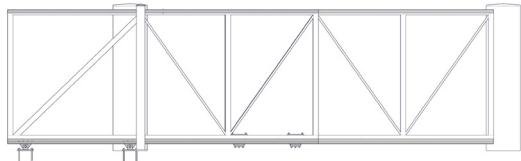
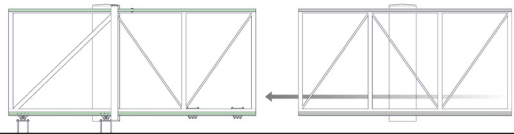
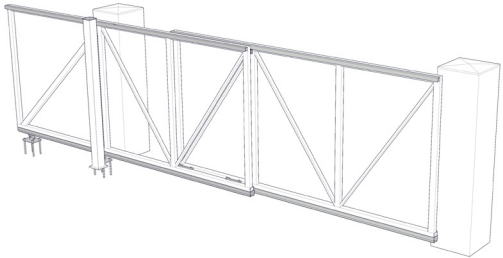
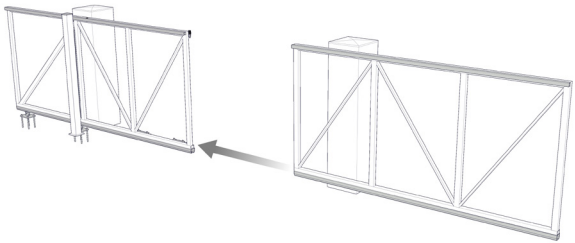
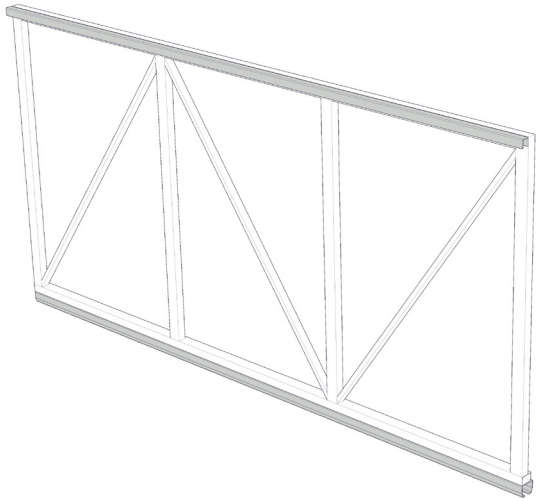
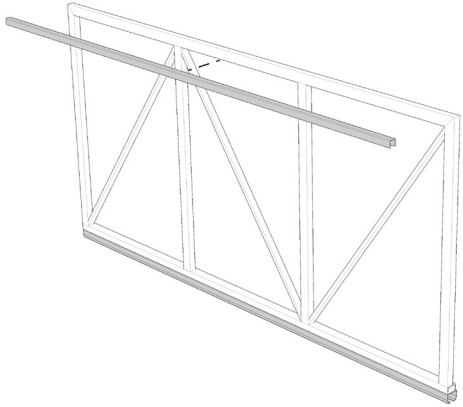
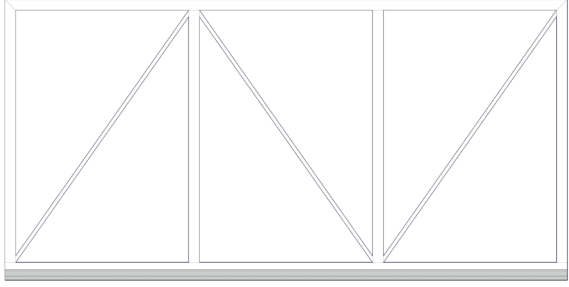
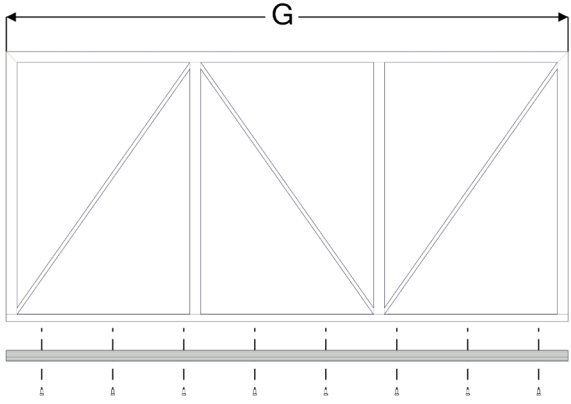


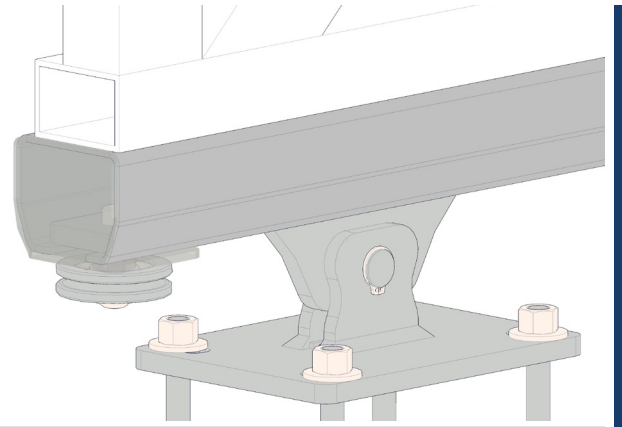
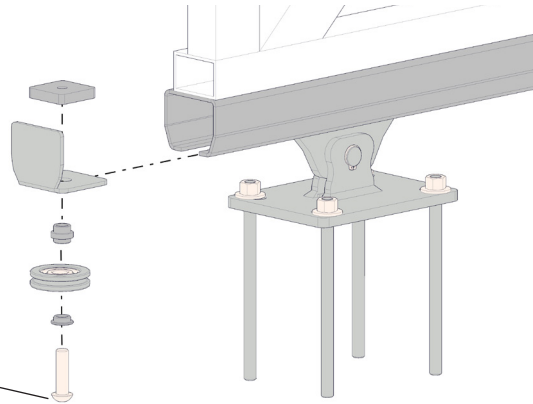
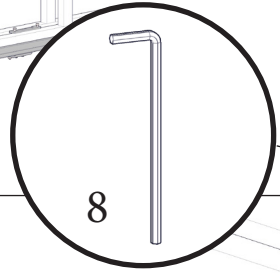
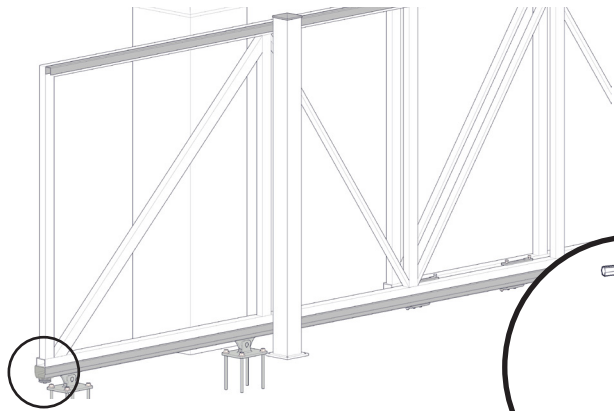
STEP 10



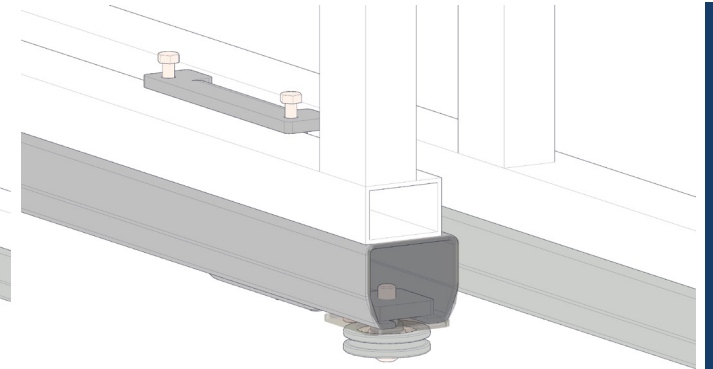
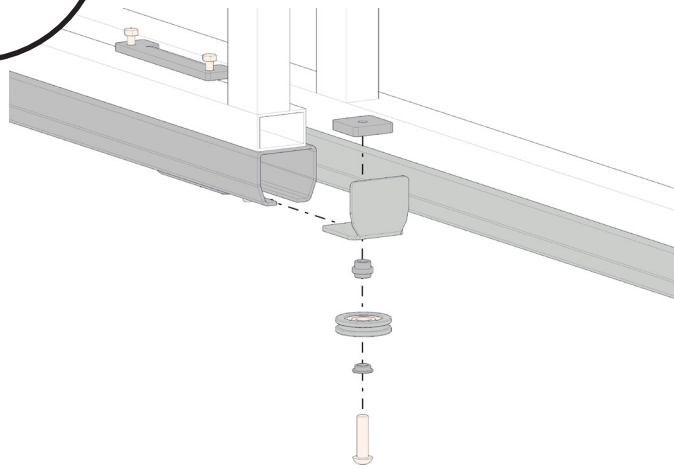
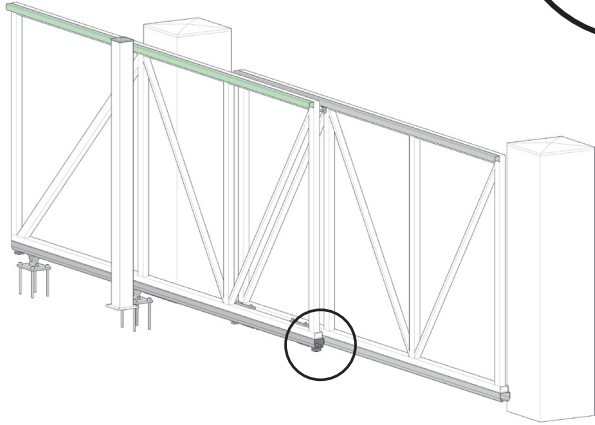
STEP 11

STEP 12

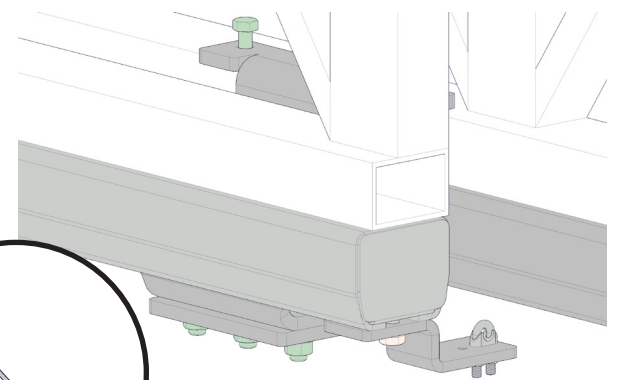
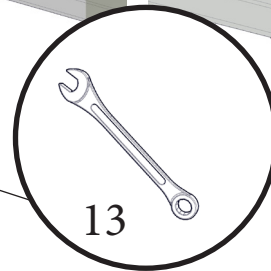
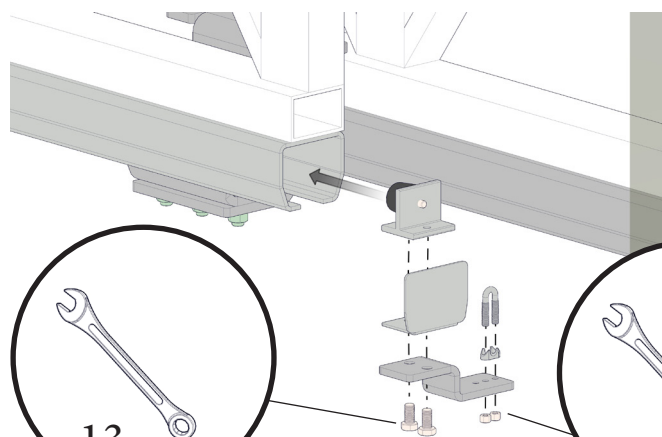
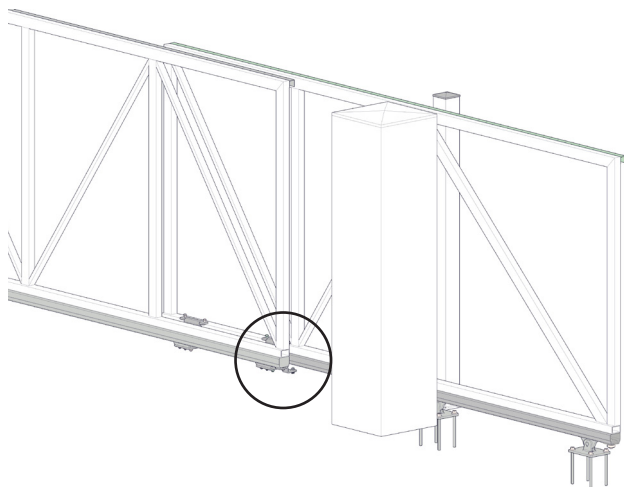




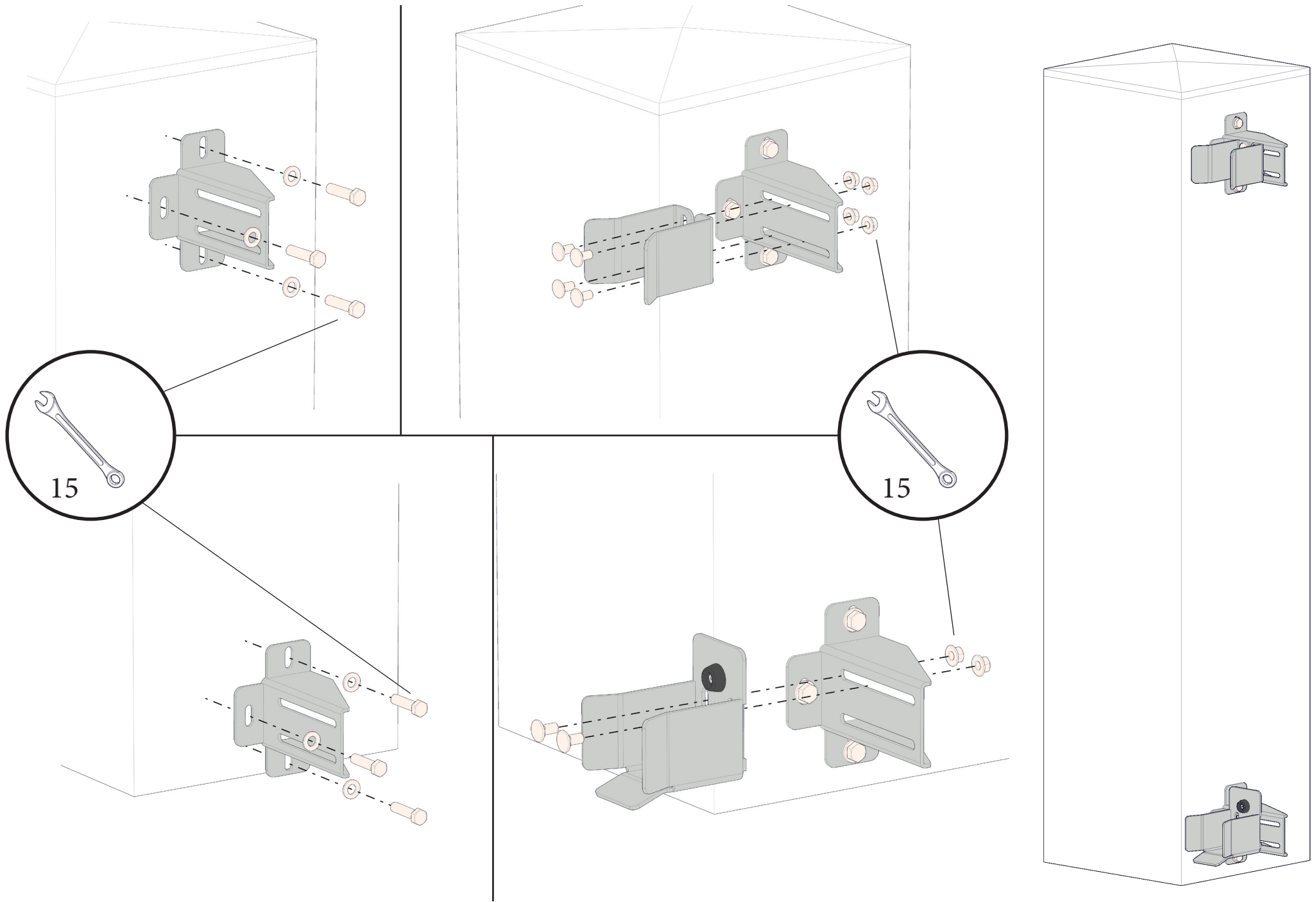
STEP 16



STEP 17

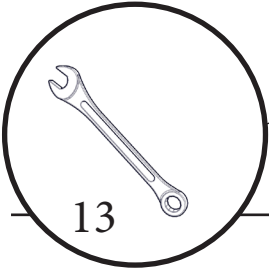
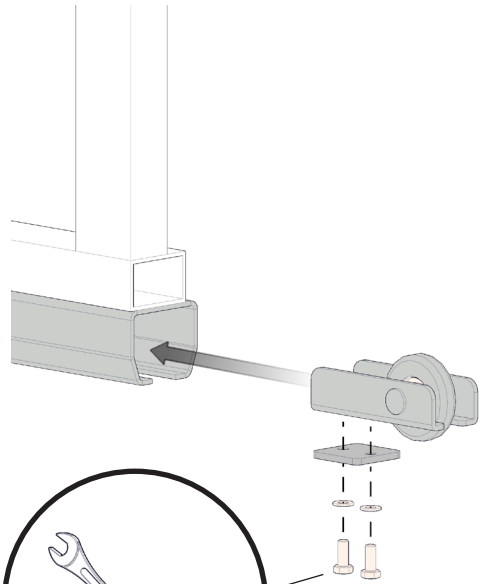


STEP 18

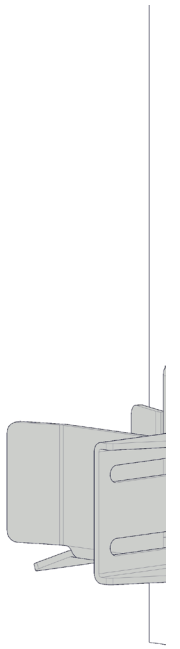
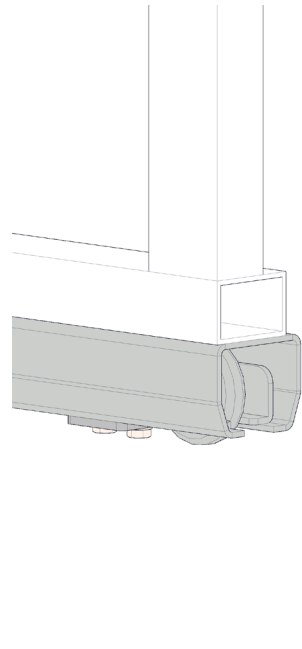
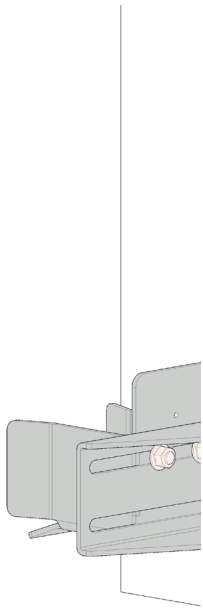


STEP 19

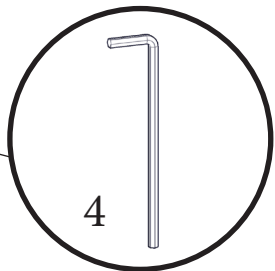
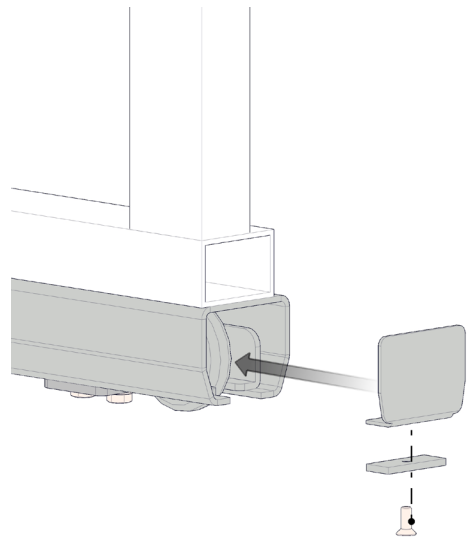
STEP 20



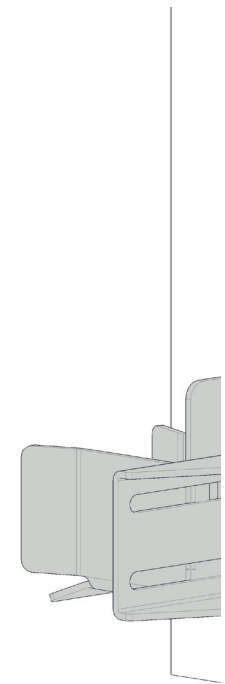
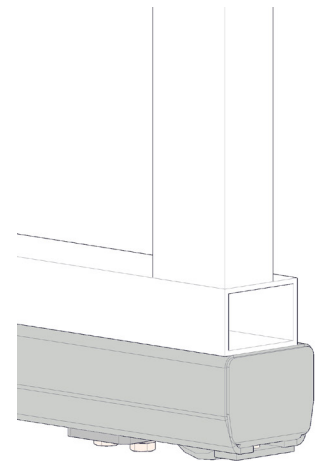
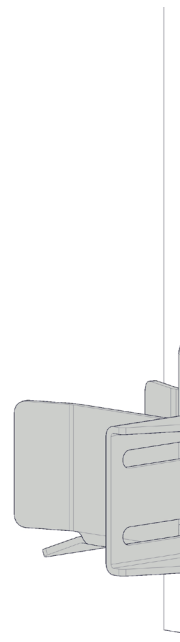
13



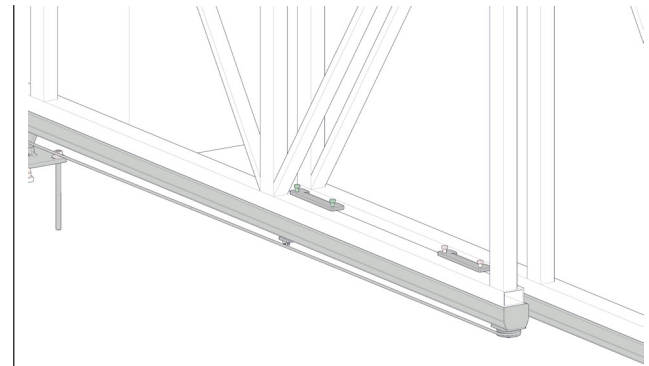
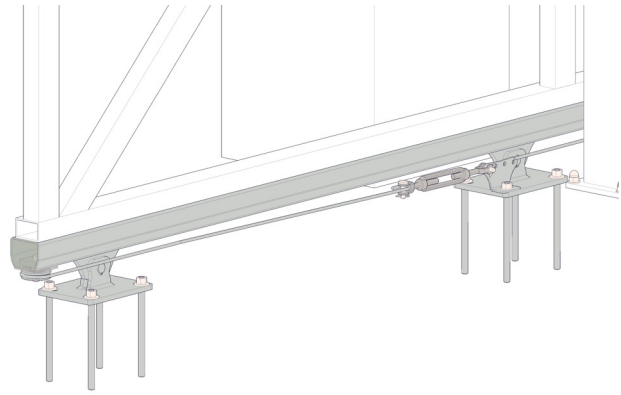
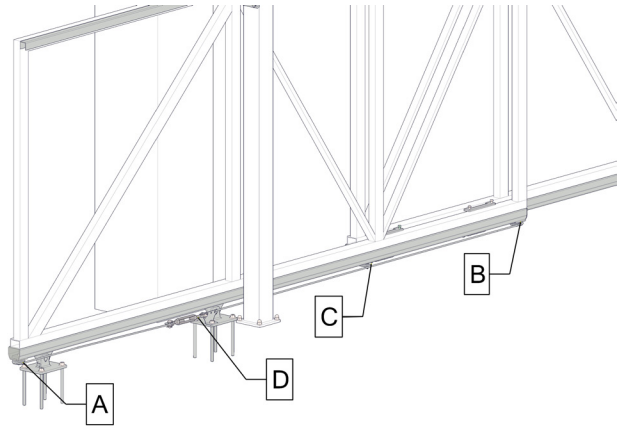
STEP 21



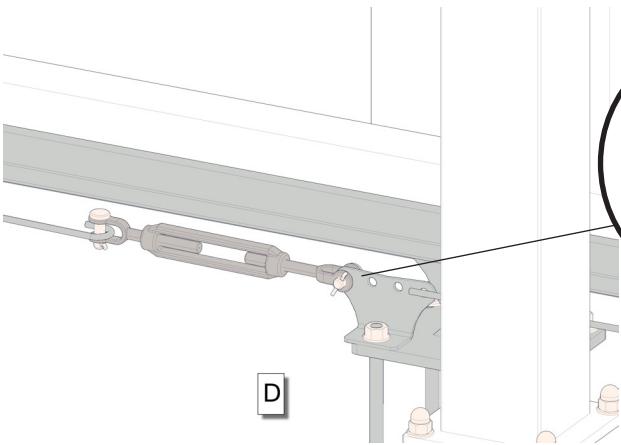
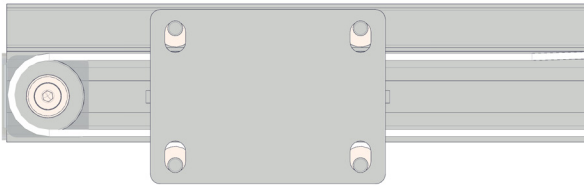
4



STEP 22

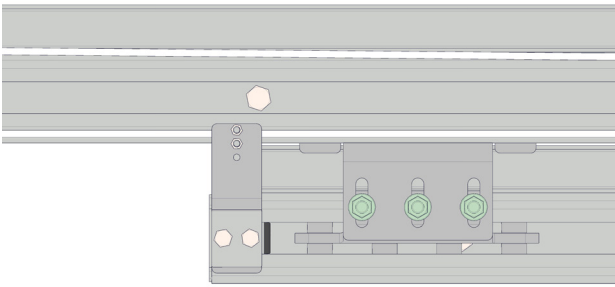


A

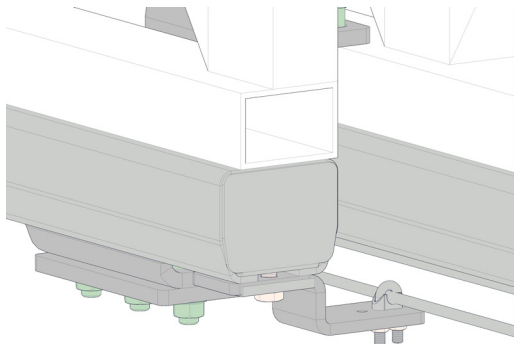


D

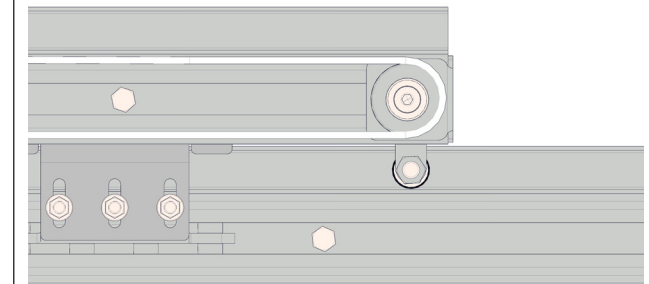
13



C



C



B

